

# CAPTAIN Of Your Farm

Leading Every **SEASON**



**25 HP EPA TIER 4 ENGINE**



## **BOX BLADE** Conquer the Ground Effortlessly

The box blade is a versatile tractor attachment for grading, leveling, and clearing soil. Ideal for landscaping and road maintenance, it offers precision and durability for various earth-moving tasks.



## **ROTAVATOR** Dominate the Dirt Like a Champion!

The rotavator "prepares the ground effortlessly," breaking up compacted soil and integrating compost for healthier gardens and improved harvests.

## **GRADER BLADE** Unleash Grading Power

The grader blade is a tractor attachment for levelling surfaces, providing precision for road maintenance and landscape grading with a single blade.



## **LAND SCAPE RAKE** Rake it Like a Pro!

The landscape rake is a tractor attachment used for smoothing and leveling soil, removing debris, and preparing surfaces for planting.

## **QUICK HITCH** Farm Smarter & Faster

A "Quick Hitch" revolutionizes farming by enabling fast, effortless attachment and detachment of tractor implements, boosting productivity.



## **MID MOUNT MOWER** Precision & Efficiency at your Fingertips

The applications of the **CAPTAIN MID MOUNT MOWER** demonstrate a wide range of uses across various sectors. The residential sector leads the market, fueled by a growing trend among homeowners to utilize compact tractors for the upkeep of their lawns and gardens.

Maximize your lawn care with the Captain mid mount mower's aesthetic design.



**RIDE ON AVAILABLE**



# CAPTAIN

TRACTORS AND AGRICULTURAL MACHINERY



## COMPACT TRACTOR MODEL

# 2532

**25 HP EPA TIER 4 ENGINE**



**CAPTAIN AGRI MACHINERY EXIM LLP**  
Exports Arm of **CAPTAIN TRACTORS PVT. LTD.**

Veraval (Shapar), District : Rajkot (Gujarat) INDIA. Pincode - 360024.  
Ph./Landline : + 91 281 299 4386, Mo : +91 99250 40445, Email : exports@captaintractors.com

[www.captainagri.com](http://www.captainagri.com)

[www.captaintractorscanada.com](http://www.captaintractorscanada.com)

# CAPTAIN 253<sup>2</sup> Classic

Tractor with Hydrostatic Transmission



TIRE OPTIONS	AGRICULTURE	TURF	INDUSTRIAL (FLOTATION)	AGRICULTURE WIDE PLUS	AGRIMAX TURF RT 333 GARDEN	INDUSTRIAL (REGULAR)	WIDER F-AGRI PLUS
Front	180/85D12	23 x 8.5 - 12	23 x 8.5 - 12	180/85D12	240/60R12	23 x 8.5 - 12	24 x 8.5 - 12
Rear	8.30 x 20	33 x 15.5 - 16.5	33 x 15.5 - 16.5	280/70R20	320/65R18	12 x 16.5	280/70R20

ENGINE		EPA Tier 4 Compliant
Engine Horse Power Ps (kW)	25 (18.4)	
Engine : Type	Mitsubishi - 4 Cycle Water Cooled	
No. of Cylinder	3	
Capacity, Ci (Cc)	80.42 (1318)	
Rated Speed (RPM)	2500	
Cooling System	Liquid Cooled	
Bore / Stroke, inch (mm)	3.07/3.62 (78/92)	
Max Torque (Nm) @ RPM	76.3 (Nm) @ 2000 RPM	

TRANSMISSION	
Type	Hydrostatic - 3 Range
Gears / Range	3 Forward / Reverse, Options : Low, Medium or High Gear
PTO RPM	Rear 540 @2406 ERPM / Mid 2000 @2430 EPRM
Steering	Hydrostatic Power Steering
Brake Type	Multi Disc Oil Immersed

HYDRAULIC	
Hydraulic System	Precision Control
Lift Capacity, lbs (Kgs.)	1488 (675) at Lower Link Point / 1235 (560) at 24 Inches from Lower Link Holes
No. of Pumps : Flow, GPM (LPM)	2 (One for Hydrostatic Transmission Unit & Steering, other for Hydraulic System) : 7.40 (28)
Auxiliary Hydraulics (Remotes)	Optional Kit Available : 1 DA Auxiliary Hydraulics with 2 QRCs / 2 DA Auxiliary Hydraulics with 4 QRCs

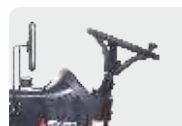
SPEED & DIMENSIONS*							
Speed, miles/hr. (Km/hr.)	0 to 13.67 (0 to 19.87)	0 to 12.79 (0 to 18.21)	0 to 13.24 (0 to 18.88)	0 to 13.86 (0 to 19.80)	0 to 13.28 (0 to 18.94)	0 to 13.04 (0 to 18.79)	0 to 13.17 (0 to 19.80)
Length, inch (mm)	109.44 (2780)	109.44 (2780)	109.44 (2780)	109.44 (2780)	109.44 (2780)	109.44 (2780)	109.44 (2780)
Width, inch (mm)	50.27 (1277)	58.66 (1490)	58.66 (1490)	50 (1270)	51.45 (1307)	49.76 (1264)	50 (1270)
Height, inch (mm)	95.15 (2417)	93.07 (2364)	93.30 (2370)	94.40 (2398)	93.85 (2384)	93.62(2378)	94.40 (2398)
Wheel Base, inch (mm)	61.02 (1550)	61.02(1550)	61.02(1550)	61.02(1550)	61.02(1550)	61.02(1550)	61.02(1550)
Rear Track Center, inch (mm)	31.92 to 38.89 (811 to 988)	42.52 (1080)	42.52 (1080)	34.76 to 38.89 (883 to 988)	38.89 (988)	38.38 (975)	38.89 (988)
Weight, lbs (kgs.)	2337 (1060)	2432 (1103)	2491 (1130)	2407 (1092)	2403 (1090)	2350 (1066)	2443 (1108)

#+/- 5% Tolerance variations

Note : Products undergo continuous upgradations. Hence, above mentioned specifications are subject to change without prior notice.



Italian Designed Lion Face



Hydrostatic Power Steering



Engine : Mitsubishi 3 Cylinder



Front Opening Bonnet



Powerful Hydraulics



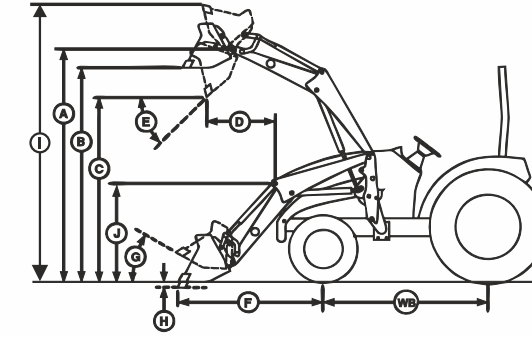
Ergonomic Seating & Footboard Area

# LOADER

Versatile Tools for Versatile Needs

CAPTAIN LOADER specifically designed to maximize the performance of the front loader and tractor. They offer a high lifting capacity, perfect for landscaping or light utility work. The Captain Loader operates with single joystick control and has quick & easy attachment and detachment of bucket.

Innovation Shock Absorber.



NO.	SPECIFICATIONS	LOADER : L2-4HS	LOADER : L2-5HS
		NON SELF LEVELLING	MECHANICALLY SELF LEVELLING
A	Pivot pin height at maximum, inch(mm)	92 (2334)	92 (2334)
B	Height bucket parallel to ground at maximum, inch(mm)	81 (2068)	81 (2068)
C	Bucket fully tilted bottom height, inch(mm)	67 (1705)	67 (1705)
D	Bucket reach when fully dumped, inch(mm)	Bonnet 14 (361) , Hook 10 (266)	Bonnet 13 (325) , Hook 9 (230)
E	Bucket tilt (dump) angle	50°	52.5°
F	Bucket forward position from front wheel center, inch(mm)	60 (1534)	60 (1534)
G	Bucket roll back angle at ground level	38°	42°
H	Bucket (parallel) height below ground level (digging depth), inch(mm)	5 (116)	5 (116)
I	Bucket fully tilted top height, inch(mm)	117 (2970)	101 (2568)
J	Loader frame front top to ground level, inch(mm)	37 (939)	39 (982)
WB	Wheel base, inch(mm)	61 (1550)	61 (1550)
	Grill guard	Standard	Standard
	Lift capacity (pivot pin, max. height), lbs(kgs.)	1102 (500)	1102 (500)
	Bucket width, inch(mm)	49 (1250)	60 (1522)
	Loader weight without attachment, lbs(kgs.)	683 (310)	683 (310)
	Standard bucket weight, lbs(kgs.)	161 (73)	181 (82)

Note : Products undergo continuous upgradations. Hence, above mentioned specifications are subject to change without prior notice. Dimensions are with 8.3 x 20 tire.

## Loader Enhanced Features



Skid Steer Quick Attach Type



3rd Function Valve (Optional in Non Self Levelling Loader)



Flow Control Valve on DCV to Control Dropping Rate of Loader Boom



Single Joystick with Positive Locking System (Comfortable Positioning for Operation)



Unique Additional Rectangular Support Crossbars all Across the Loader

## Also Available Different Types of Bucket



Standard / Heavy Duty Bucket



Grapple Fork Bucket



4 in 1 Bucket



Grabber Bucket with Fork



Pallet Fork with Bale Spear

# 253<sup>2</sup> Premium

ADDITIONAL FEATURES

## COMFORT

Sit with King's Comfort

Comfortable Seat with Suspension



## Auxiliary Hydraulics

2 DA Auxiliary Hydraulics(Remotes) with 4 QRCs



INNOVATIVE 720° ROTATION WORK LAMPS x 3 NOS.



Front Tow Hook